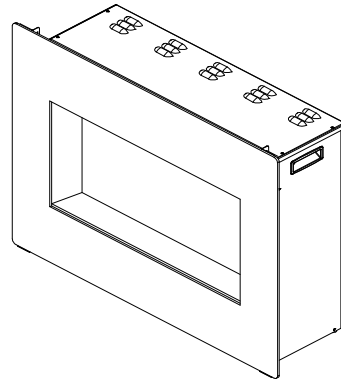




INSTALLATION AND OPERATION INSTRUCTIONS FOR ZERO CLEARANCE AND INSERT UNITS

ZECL-26-2923-BG
ZECL-30-3226-BG
ZECL-33-3624-BG
ZECL-39-4134-BG
ZECL-2939-BG
INSERT-26-3825-BG
INSERT-30-4026-BG
INSERT-33-4230-BG
ZECL-26-2923-FLUSHMT-BG
ZECL-30-3226-FLUSHMT-BG



SAFETY INFORMATION

WARNING

If the information in these instructions are not followed exactly, a fire or explosion may result causing property damage, personal injury or loss of life.

Do not store or use gasoline or other flammable vapors and liquids in the vicinity of this or any other appliance.

INSTALLER: LEAVE THIS MANUAL WITH THE APPLIANCE.

CONSUMER: RETAIN THIS MANUAL FOR FUTURE REFERENCE.

TABLE OF CONTENTS

Please read and carefully follow all of the instruction found in this manual. Please pay special attention to the safety instructions provided in this manual. The instructions included here will assure that you have many years of dependable and enjoyable service from your Amantii product.

IMPORTANT INSTRUCTIONS.....	3
UNPACKING AND TESTING APPLIANCE	4
GROUNDING APPLIANCE	4
LOCATING THE FIREPLACE	4
CLEARANCES WHTN BUILT-IN.....	5
ZECL-26-2923-BG.....	7
ZECL-30-3226-BG.....	8
ZECL-33-3624-BG.....	9
ZECL-39-4134-BG.....	10
ZECL-2939-BG	11
INSERT-26-3825-BG	12
INSERT-30-4026-BG	13
INSERT-33-4230-BG	14
ZECL-26-2923-FLUSHMT-BG	15
ZECL-30-3226-FLUSHMT-BG	16
INSTALLATION OVERVIEW – MASONRY FIREPLACES	17
INSTALLATION OVERVIEW –ZERO-CLEARANCE (METAL) FIREPLACES	18
HARD- WIRE INSTALLATION.....	19
MEDIA OPTIONS	20
DECORATIVE MEDIA INSTALLATION	20
OPERATION.....	21
MANUAL OPERATION.....	21
REMOTE CONTROL OPERATION	22
INSTALLING WALL THERMOSTAT	23
REPLACEMENT PARTS	24
EXPLODED VIEW	25
TROUBLE SHOOTING	26
SERVICE HISTORY	27
WARRANTY	28

IMPORTANT INSTRUCTIONS

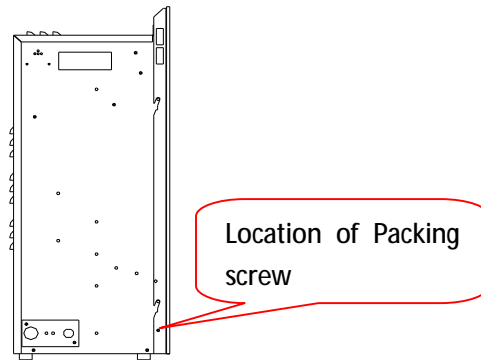
1. Read all instructions before installing or using this heater.
2. Keep combustible materials, such as furniture, pillows, bedding, papers, clothes and curtains at least 3 feet from the front of the heater; keep them away from sides and rear as well.
3. Always unplug heater when it's not in use.
4. Do not operate the fireplace if it has a damaged cord or plug, after it has malfunctioned, or if the unit has been dropped or damaged in any way.
5. Do not use the heater outdoors.
6. This heater is not intended for use in bathrooms, laundry areas and similar indoor locations. Never place the heater where it may fall into a bathtub or other water containers.
7. Do not run the cord under carpeting. Do not cover the cord with throw rugs, runners or anything else. Arrange the cord away from traffic areas where it could not be tripped over.
8. To disconnect the heater, turn the controls to "OFF" before removing the plug from the outlet.
9. Do not insert or allow foreign objects to enter any ventilation or exhaust opening, as this may cause an electric shock, fire or damage to the heater.
10. To prevent a possible fire, do not block air intakes in any manner.
11. A heater has hot and arcing or sparking parts inside. Do not use it in areas where gasoline, paint or flammable liquids are used or stored.
12. Use this heater only as described in this manual. Any other use not recommended by the manufacturer may cause fire, electric shock or injury to persons.
13. Avoid the use of an extension cord because the extension cord may overheat and cause a fire.
14. Always use properly grounded fused and polarized outlets.
15. Always use ground fault protection where it is required by electrical codes.
16. Always disconnect the power before performing any cleaning, maintenance or relocation of the heater.
17. To prevent a possible fire, do not burn wood or other materials in this heater.
18. To prevent electric shock or fire, always use a certified electrician, should new circuits or outlets be required.
19. When transporting or storing the heater, keep it in a dry place, free from excessive vibration.

UNPACKING AND TESTING APPLIANCE

Carefully remove the appliance from the box. Remove the packing screws from both sides of the fireplace.

Prior to installing the appliance, test to make sure the appliance operates properly by plugging the power supply cord into a conveniently located 120 Volt grounded outlet.

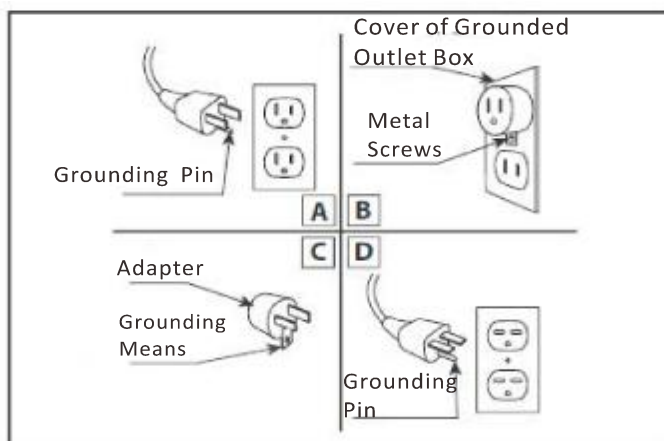
Test all aspects of its operation (manual switches, remote and heater) to make sure all components operate correctly.



GROUNDING APPLIANCE

This appliance is for use on 120 Volts. The cord has a plug as shown in (A). An adapter as shown in (C) is available for connecting three-blade grounding type plugs to two-slot receptacles. The green grounding lug extending from the adapter must be connected to a permanent ground such as a properly grounded outlet box. The adapter should not be used if a three-slot grounded receptacle is available.

To disconnect appliance, turn controls to off, then remove plug from outlet.

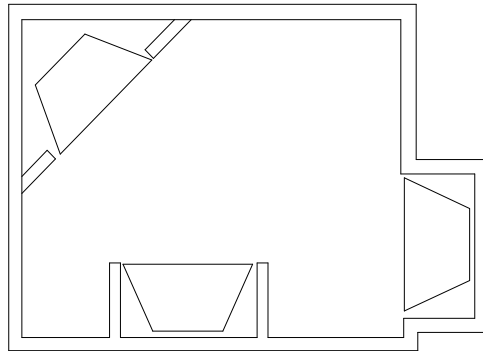


LOCATING THE FIREPLACE

Plan where to locate and frame the fireplace. This will save time and money later when you install the fireplace. Before installation consider the following:

1. Where the fireplace is located must allow for wall and ceiling clearances
2. Consider a location where the fireplace screen will not be exposed to direct sunlight from windows or doors.

3. A 15 ampere, 120 Volt, 60 Hz branch circuit with proper ground must be available at the location. Preferably a dedicated branch circuit should be provided to avoid circuit breakers to trip or fuses to blow.

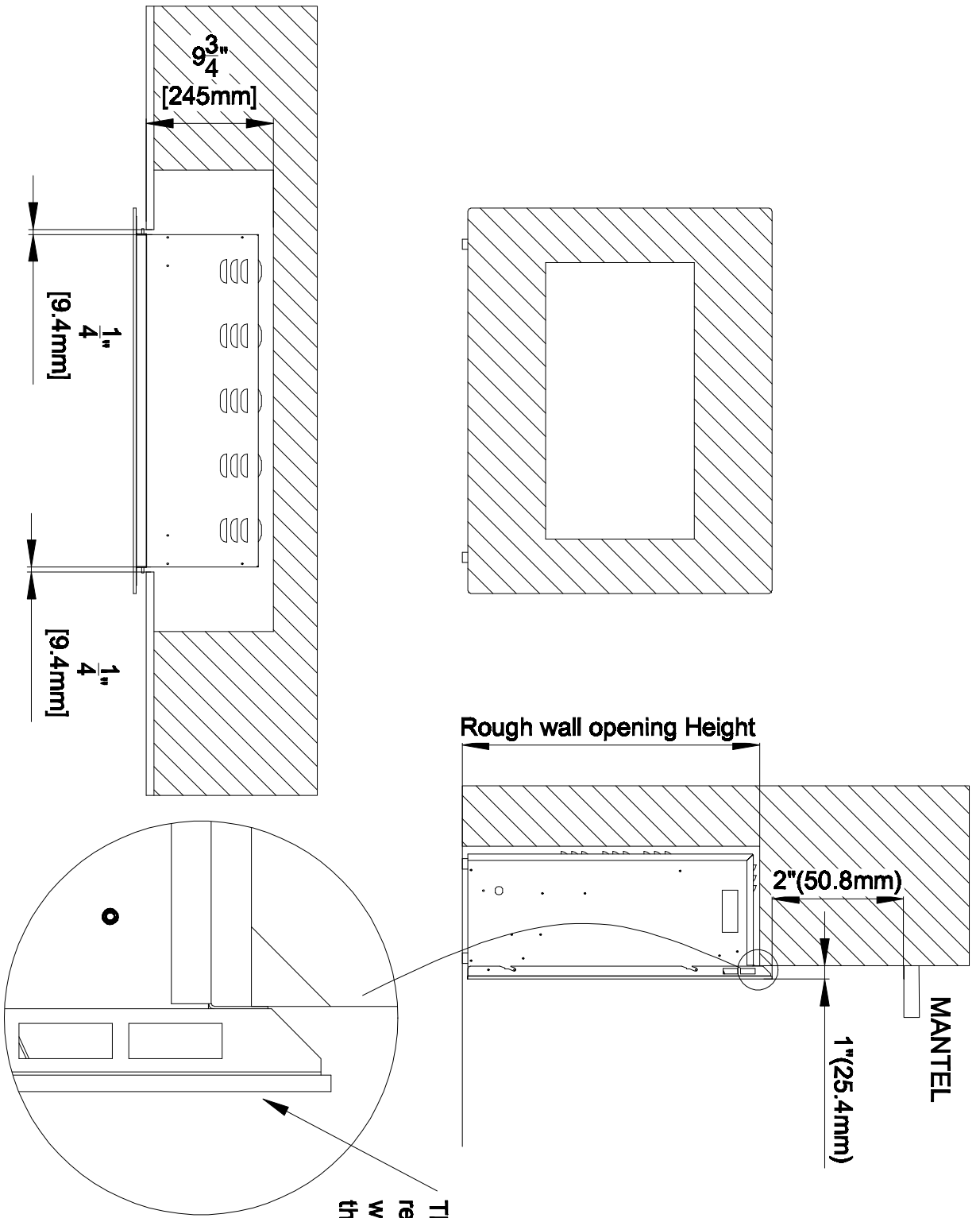


CLEARANCES WHEN BUILT-IN

The fireplace may be placed within a framed enclosure that is level, dry and capable of supporting the weight of the appliance and front glass. It may be placed directly on wood or a non-combustible surface (not on linoleum or carpet). The minimum clearance from the top of the appliance to a mantel (combustible or non-combustible) is 2" (50.8 mm). The sides and back must maintain 1" (25.4mm) clearance to any material. The top must maintain a 3/8" (10mm) clearance to any material.

NOTE: All the ZECL and INSERT models need the same clearance.

NOTE: The air vents must have a 1 inch gap between the wall and the glass surround to allow the heat to vent or the cool air to come in, and the air vents can't be covered with finishing materials like stone or trim. It must remain clear. Please also note that air must circulate at the bottom as well so please don't seal the gap between fireplace and the floor to prevent from overheating



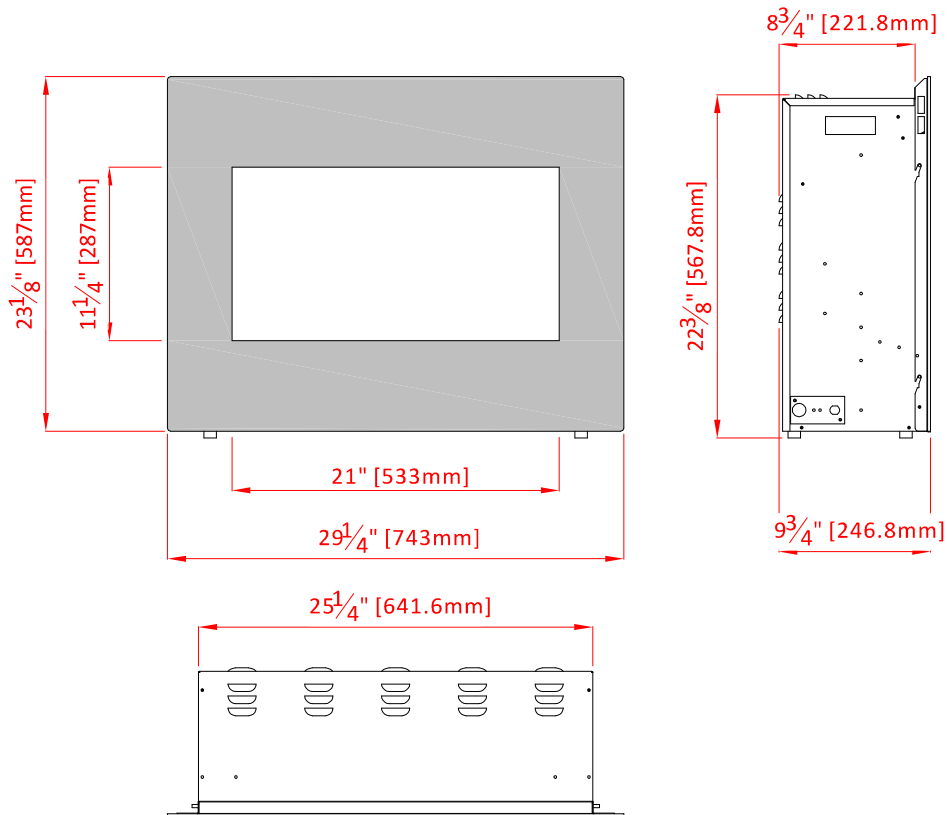
The air vent must be free and remain outside of the wall. There will be a 1" gap between the wall and the glass surround.

ZECL-26-2923-BG

Description	Built-in Appliance
Voltage	120V AC 60Hz
Watts	1500W Max
NO HEATER	25W
MOTOR HEATER	19W
Appliance Width	25 1/4" or 64.2 cm
Appliance Height	22 3/8" or 56.8 cm
Appliance Depth	8 3/4" or 22.2 cm
Gross Weight	55 lbs or 25 kg
Plug Location	Left side
Cord Length	70 7/8" or 180 cm
Rough Wall Opening Size	26" × 23" or 66 cm × 58.4 cm
BTU	4800

This appliance has been tested in accordance with the UL Standard 2021 for fixed and location dedicated electric room appliances in the United States and Canada. If you need assistance during installation, please contact your local dealer.

NOTE: This appliance must be electrically wired and grounded in accordance with local codes. In the absence of local codes, use the current CSA C22.1 Canadian Electrical Code in Canada or the ANSI/NFPA 70 National Electrical Code in the United States.

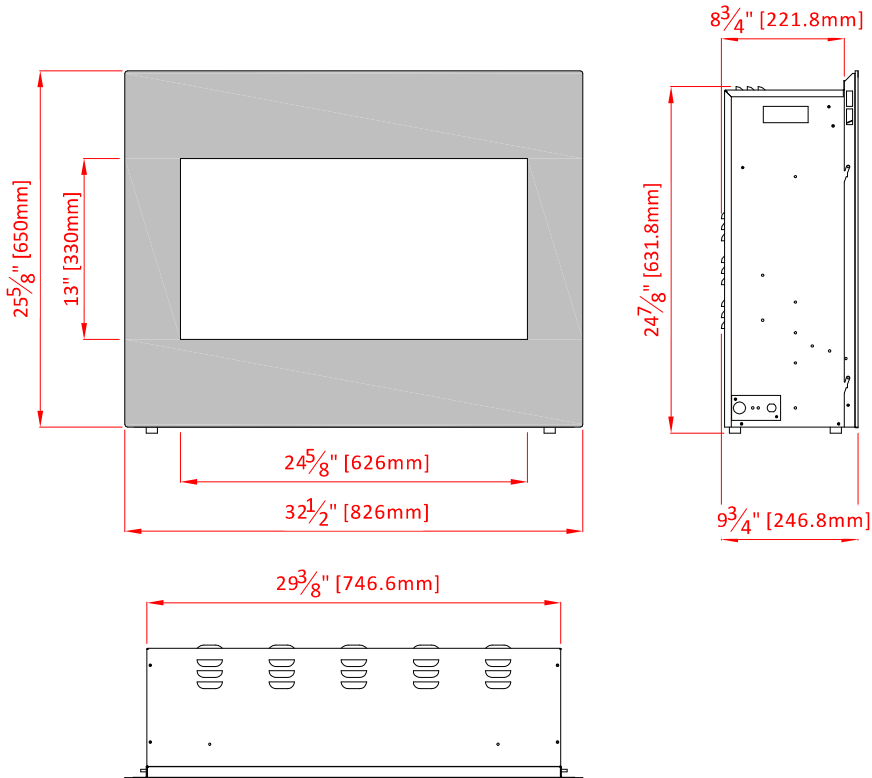


ZECL-30-3226-BG

Description	Built-in Appliance
Voltage	120V AC 60Hz
Watts	1500W Max
NO HEATER	25W
MOTOR HEATER	19W
Appliance Width	29 3/8" or 74.6 cm
Appliance Height	24 7/8" or 63.2 cm
Appliance Depth	8 3/4" or 22.2 cm
Gross Weight	63.8 lbs or 29kg
Plug Location	Left side
Cord Length	70 7/8" or 180 cm
Rough Wall Opening Size	30 1/8" × 25 1/4" or 76.5 cm × 63.8 cm
BTU	4800

This appliance has been tested in accordance with the UL Standard 2021 for fixed and location dedicated electric room appliances in the United States and Canada. If you need assistance during installation, please contact your local dealer.

NOTE: This appliance must be electrically wired and grounded in accordance with local codes. In the absence of local codes, use the current CSA C22.1 Canadian Electrical Code in Canada or the ANSI/NFPA 70 National Electrical Code in the United States.

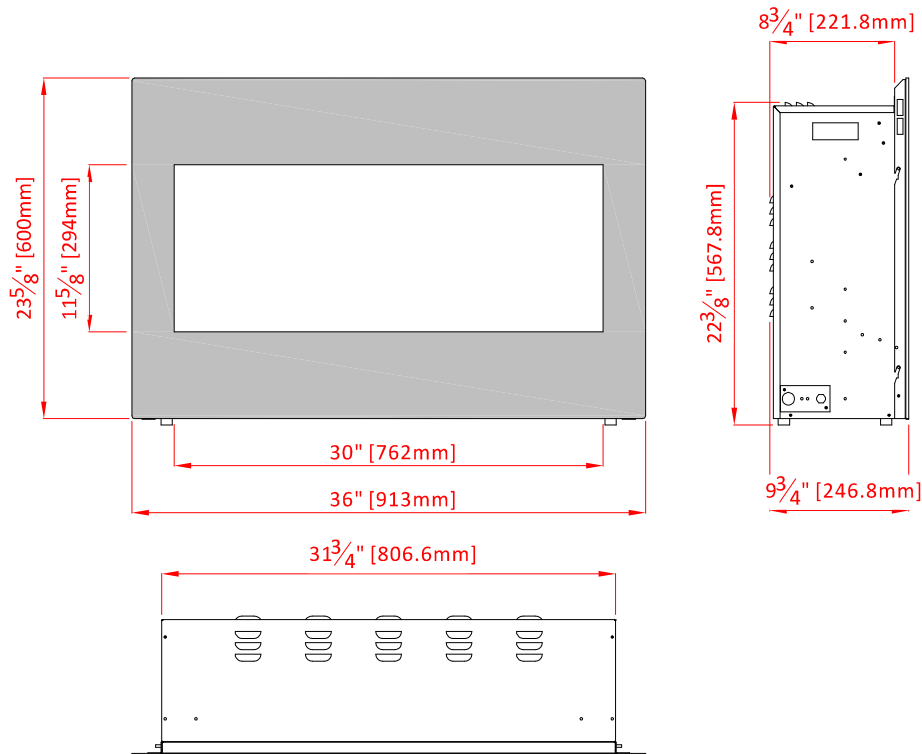


ZECL-33-3624-BG

Description	Built-in Appliance
Voltage	120V AC 60Hz
Watts	1500W Max
NO HEATER	25W
MOTOR HEATER	19W
Appliance Width	31 3/4" or 120.6 cm
Appliance Height	22 3/8" or 53.6 cm
Appliance Depth	8 3/4" or 22.2 cm
Gross Weight	64.9lbs or 29.5kg
Plug Location	Left side
Cord Length	70 7/8" or 180 cm
Rough Wall Opening Size	33 3/4" × 23" or 85.7 cm × 58.4 cm
BTU	4800

This appliance has been tested in accordance with the UL Standard 2021 for fixed and location dedicated electric room appliances in the United States and Canada. If you need assistance during installation, please contact your local dealer.

NOTE: This appliance must be electrically wired and grounded in accordance with local codes. In the absence of local codes, use the current CSA C22.1 Canadian Electrical Code in Canada or the ANSI/NFPA 70 National Electrical Code in the United States.

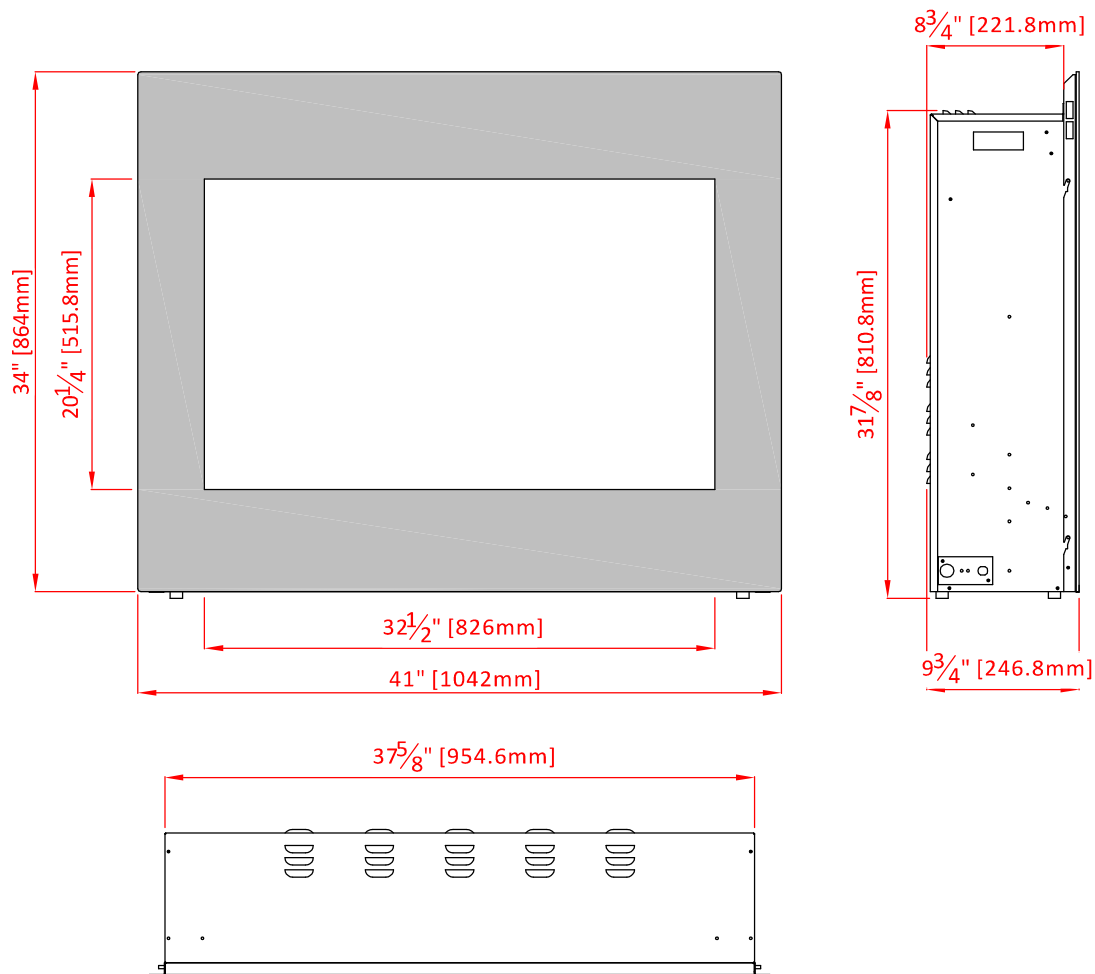


ZECL-39-4134-BG

Description	Built-in Appliance
Voltage	120V AC 60Hz
Watts	1500W Max
NO HEATER	25W
MOTOR HEATER	19W
Appliance Width	37 5/8" or 180.4 cm
Appliance Height	31 7/8" or 53.6 cm
Appliance Depth	8 3/4" or 22.2 cm
Gross Weight	92.4lbs or 42kg
Plug Location	Left side
Cord Length	70 7/8" or 180 cm
Rough Wall Opening Size	39 5/8" × 32 1/2" or 100.6 cm × 82.5 cm
BTU	4800

This appliance has been tested in accordance with the UL Standard 2021 for fixed and location dedicated electric room appliances in the United States and Canada. If you need assistance during installation, please contact your local dealer.

NOTE: This appliance must be electrically wired and grounded in accordance with local codes. In the absence of local codes, use the current CSA C22.1 Canadian Electrical Code in Canada or the ANSI/NFPA 70 National Electrical Code in the United States.

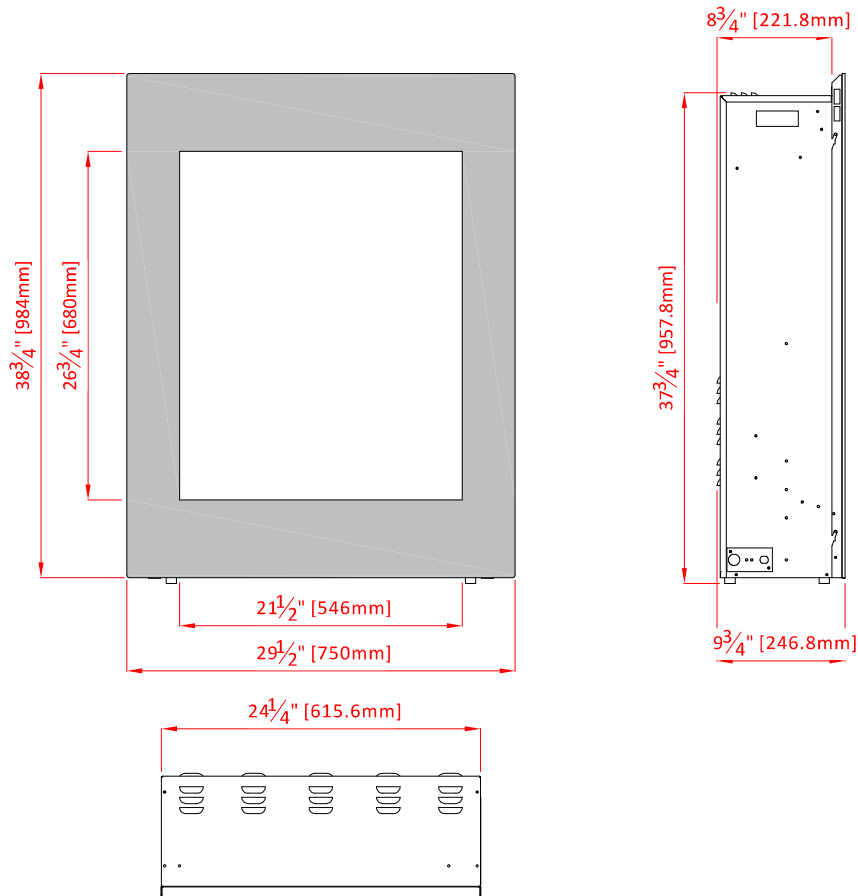


ZECL-2939-BG

Description	Built-in Appliance
Voltage	120V AC 60Hz
Watts	1500W Max
NO HEATER	25W
MOTOR HEATER	19W
Appliance Width	24 1/4" or 180.4 cm
Appliance Height	37 3/4" or 53.6 cm
Appliance Depth	8 3/4" or 22.2 cm
Gross Weight	74.8lbs or 34kg
Plug Location	Left side
Cord Length	70 7/8" or 180 cm
Rough Wall Opening Size	26 1/4" × 38 3/8" or 66.7 cm × 72 cm
BTU	4800

This appliance has been tested in accordance with the UL Standard 2021 for fixed and location dedicated electric room appliances in the United States and Canada. If you need assistance during installation, please contact your local dealer.

NOTE: This appliance must be electrically wired and grounded in accordance with local codes. In the absence of local codes, use the current CSA C22.1 Canadian Electrical Code in Canada or the ANSI/NFPA 70 National Electrical Code in the United States.

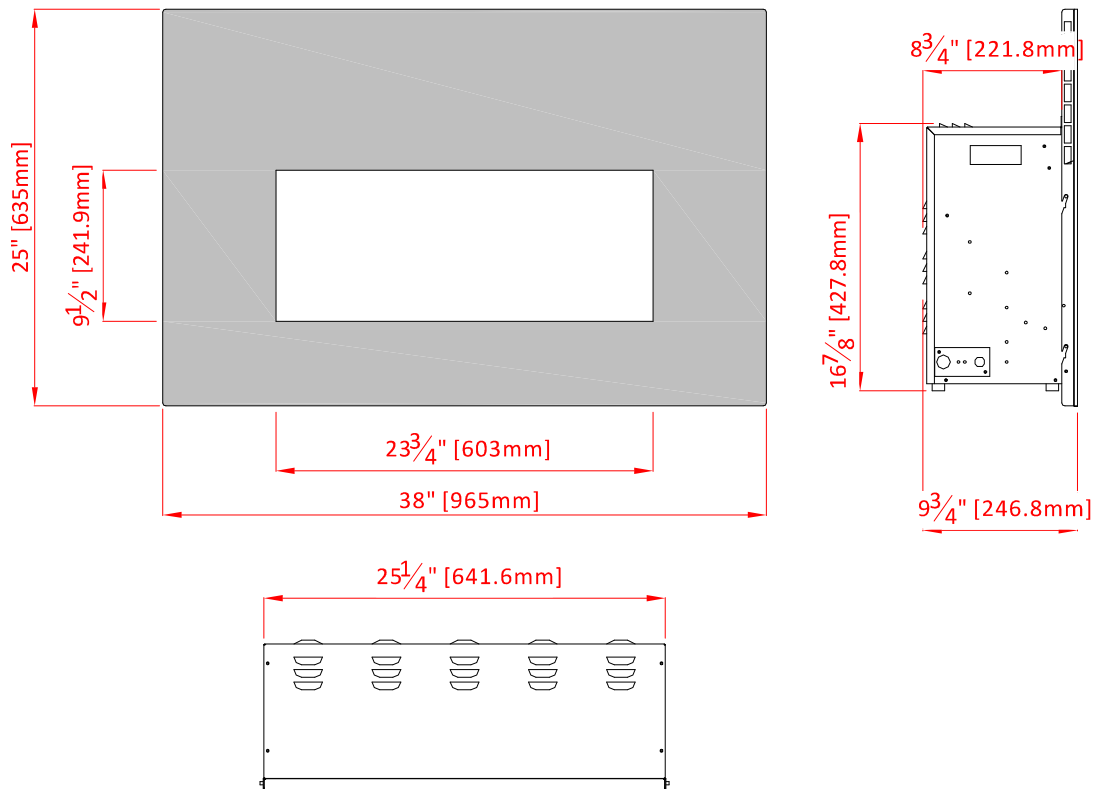


INSERT-26-3825-BG

Description	Built-in Appliance
Voltage	120V AC 60Hz
Watts	1500W Max
NO HEATER	25W
MOTOR HEATER	19W
Appliance Width	25 1/4" or 64.2 cm
Appliance Height	16 7/8" or 42.8 cm
Appliance Depth	8 3/4" or 22.2 cm
Gross Weight	61.6lbs or 28kg
Plug Location	Left side
Cord Length	70 7/8" or 180 cm
Rough Wall Opening Size	27 1/4" × 17 1/4" or 69.2 cm × 43.8 cm
BTU	4800

This appliance has been tested in accordance with the UL Standard 2021 for fixed and location dedicated electric room appliances in the United States and Canada. If you need assistance during installation, please contact your local dealer.

NOTE: This appliance must be electrically wired and grounded in accordance with local codes. In the absence of local codes, use the current CSA C22.1 Canadian Electrical Code in Canada or the ANSI/NFPA 70 National Electrical Code in the United States.

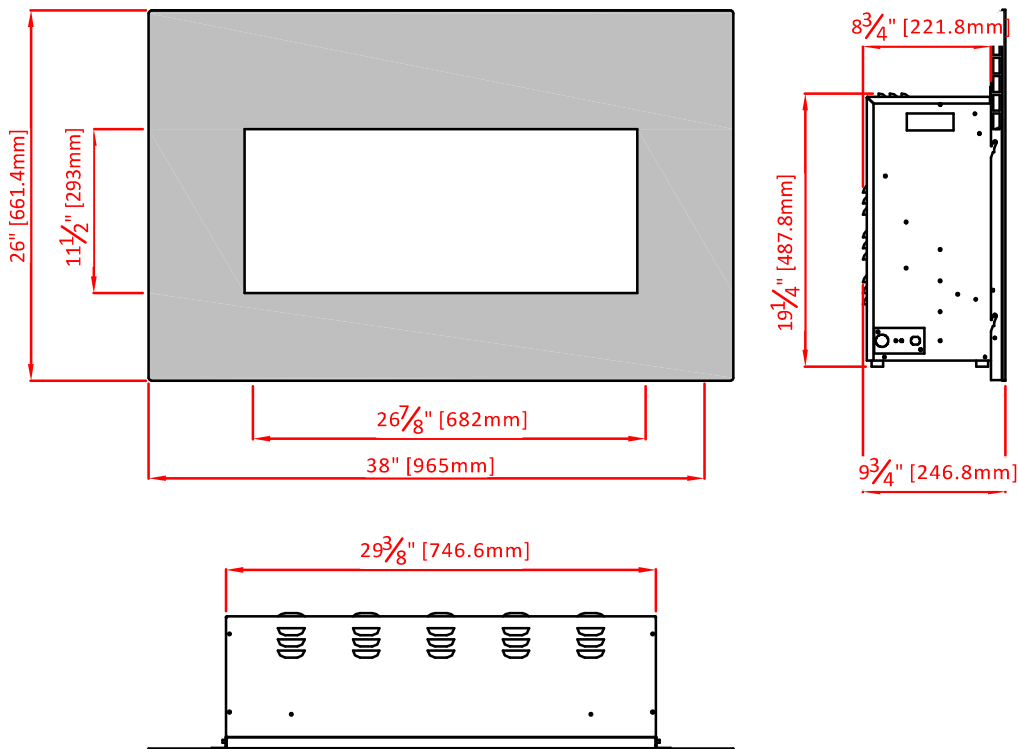


INSERT-30-4026-BG

Description	Built-in Appliance
Voltage	120V AC 60Hz
Watts	1500W Max
NO HEATER	25W
MOTOR HEATER	19W
Appliance Width	29 3/8" or 74.6 cm
Appliance Height	19 1/4" or 48.8 cm
Appliance Depth	8 3/4" or 22.2 cm
Gross Weight	74.8lbs or 34kg
Plug Location	Left side
Cord Length	70 7/8" or 180 cm
Rough Wall Opening Size	31 3/8" × 19 7/8" or 79.7 cm × 50.5 cm
BTU	4800

This appliance has been tested in accordance with the UL Standard 2021 for fixed and location dedicated electric room appliances in the United States and Canada. If you need assistance during installation, please contact your local dealer.

NOTE: This appliance must be electrically wired and grounded in accordance with local codes. In the absence of local codes, use the current CSA C22.1 Canadian Electrical Code in Canada or the ANSI/NFPA 70 National Electrical Code in the United States.

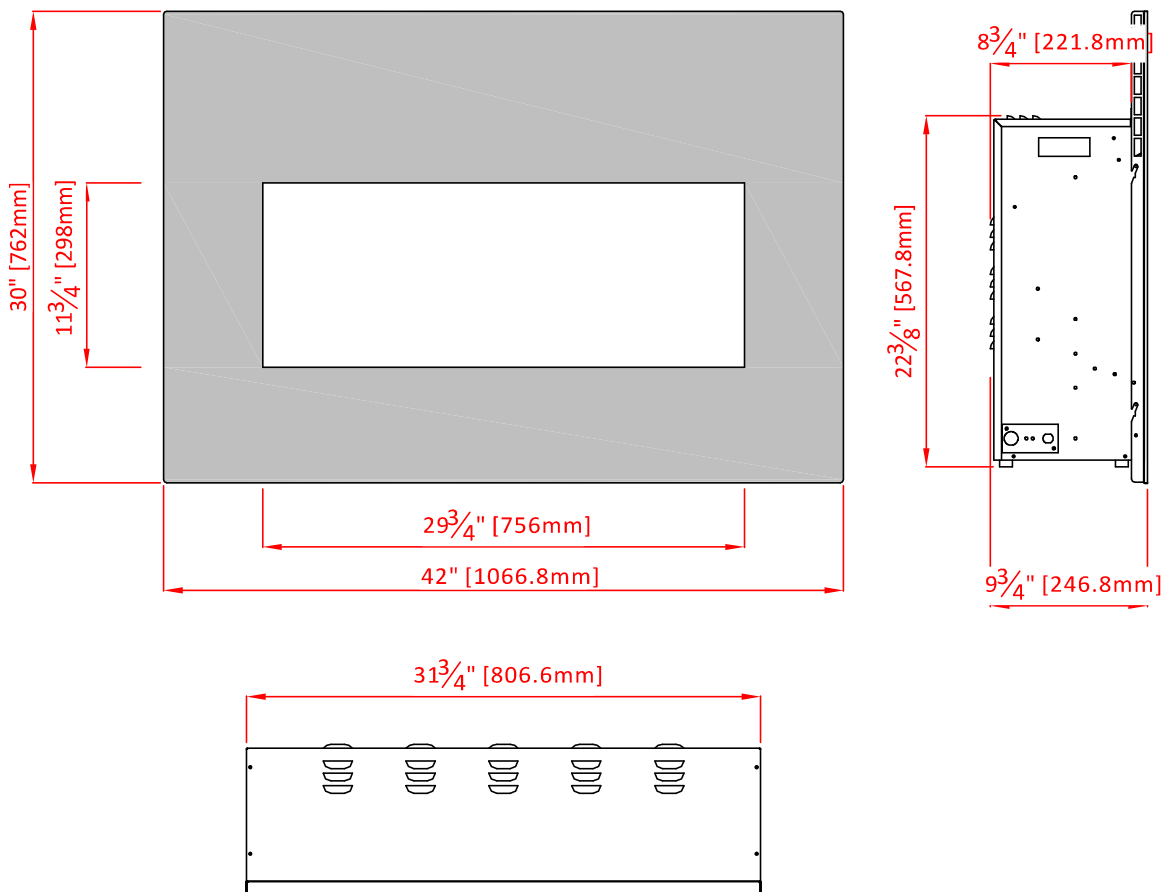


INSERT-33-4230-BG

Description	Built-in Appliance
Voltage	120V AC 60Hz
Watts	1500W Max
NO HEATER	25W
MOTOR HEATER	19W
Appliance Width	31 3/4" or 120.6 cm
Appliance Height	22 3/8" or 53.6 cm
Appliance Depth	8 3/4" or 22.2 cm
Gross Weight	77lbs or 35kg
Plug Location	Left side
Cord Length	70 7/8" or 180 cm
Rough Wall Opening Size	33 3/4" × 23" or 85.7 cm × 58.4 cm
BTU	4800

This appliance has been tested in accordance with the UL Standard 2021 for fixed and location dedicated electric room appliances in the United States and Canada. If you need assistance during installation, please contact your local dealer.

NOTE: This appliance must be electrically wired and grounded in accordance with local codes. In the absence of local codes, use the current CSA C22.1 Canadian Electrical Code in Canada or the ANSI/NFPA 70 National Electrical Code in the United States.

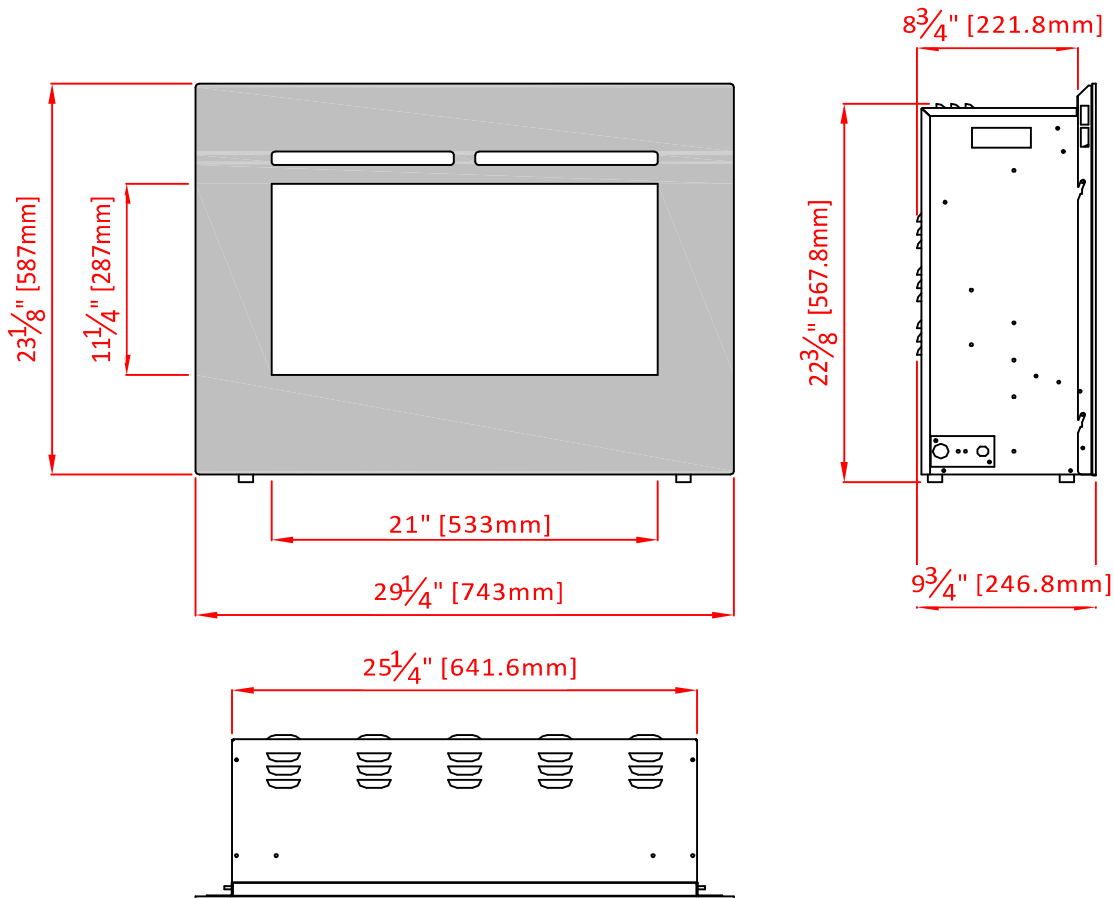


ZECL-26-2923-FLUSHMT-BG

Description	Built-in Appliance
Voltage	120V AC 60Hz
Watts	1500W Max
NO HEATER	25W
MOTOR HEATER	19W
Appliance Width	25 1/4" or 64.2 cm
Appliance Height	22 3/8" or 56.7 cm
Appliance Depth	8 3/4" or 22.2 cm
Gross Weight	55lbs or 25kg
Plug Location	Left side
Cord Length	70 7/8" or 180 cm
Rough Wall Opening Size	27 1/4" × 23" or 69.2 cm × 58.4 cm
BTU	4800

This appliance has been tested in accordance with the UL Standard 2021 for fixed and location dedicated electric room appliances in the United States and Canada. If you need assistance during installation, please contact your local dealer.

NOTE: This appliance must be electrically wired and grounded in accordance with local codes. In the absence of local codes, use the current CSA C22.1 Canadian Electrical Code in Canada or the ANSI/NFPA 70 National Electrical Code in the United States.

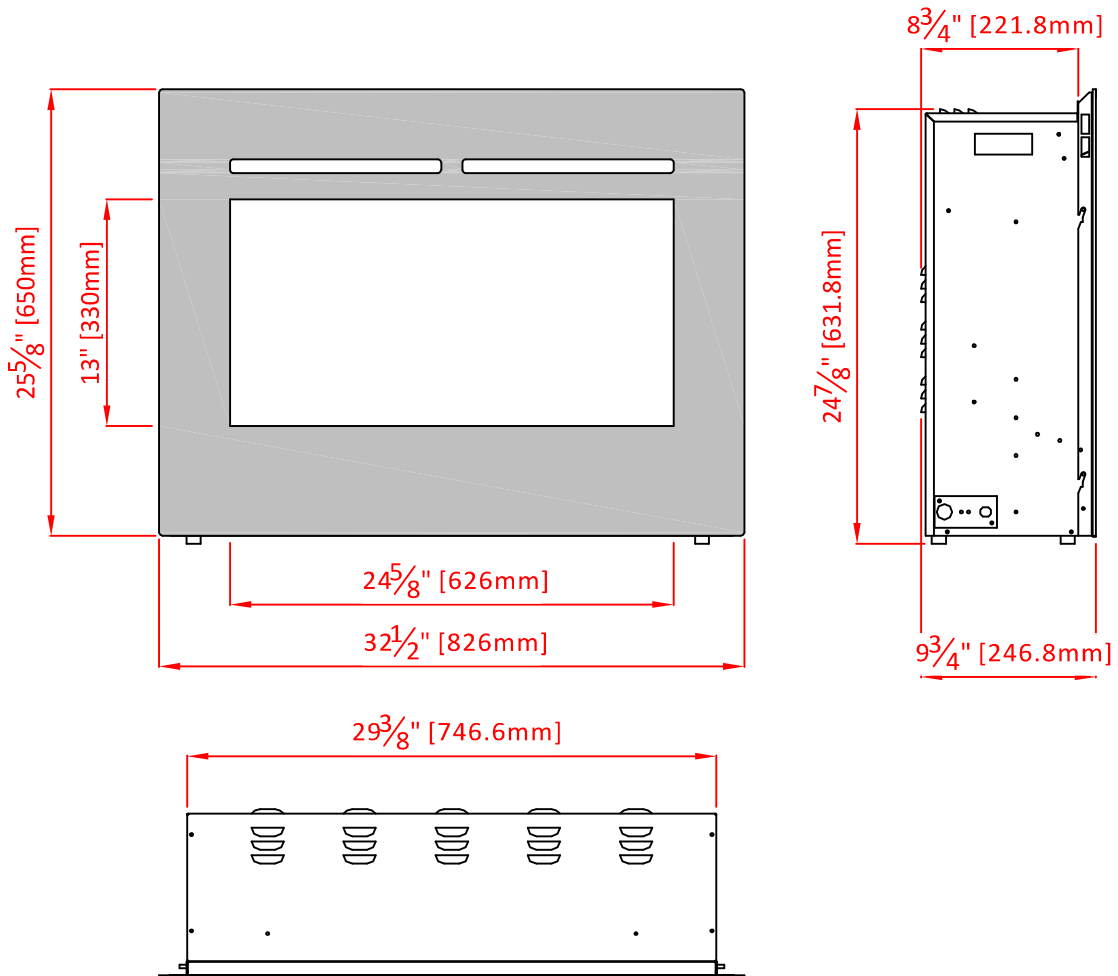


ZECL-30-3226-FLUSHMT-BG

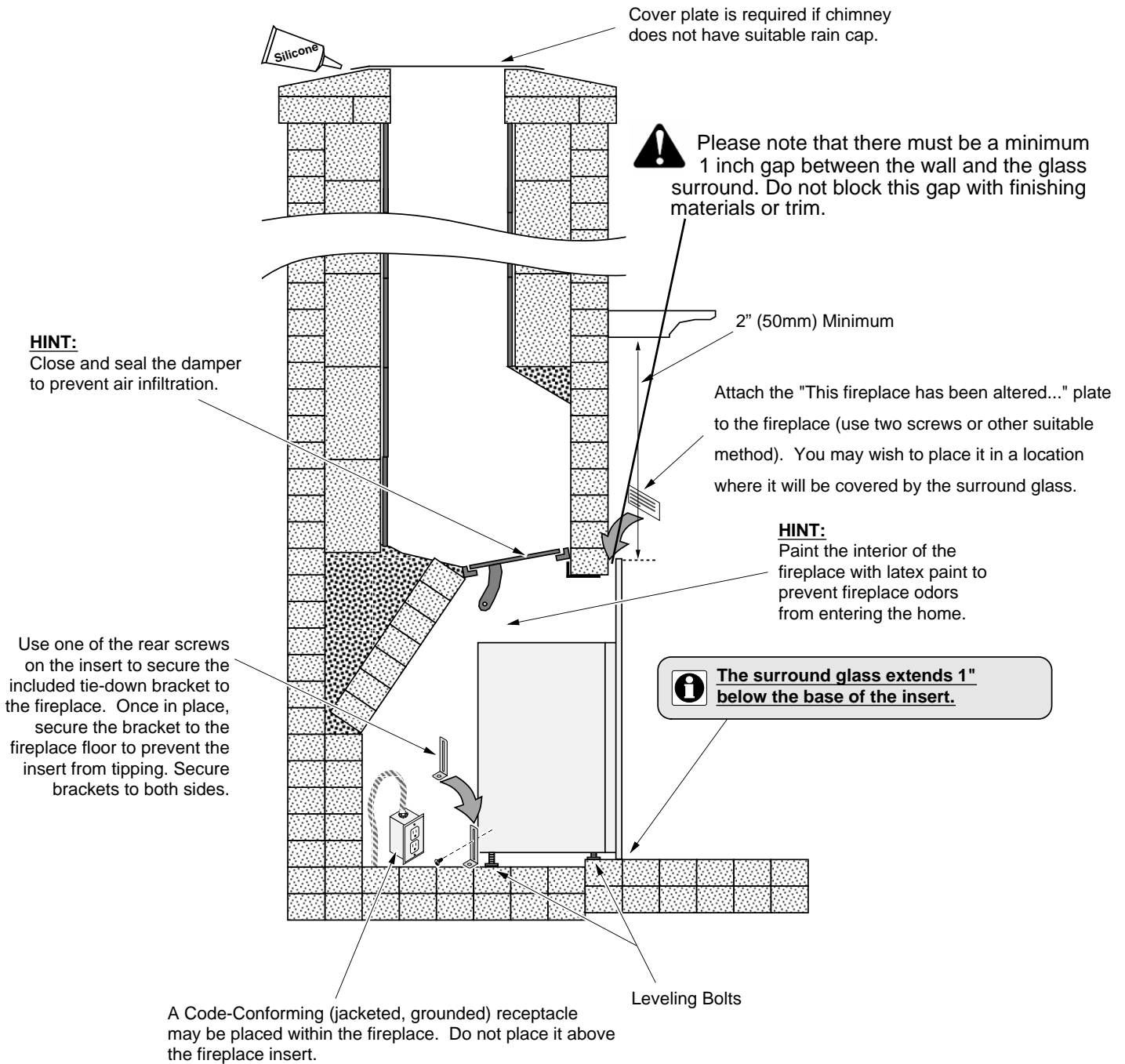
Description	Built-in Appliance
Voltage	120V AC 60Hz
Watts	1500W Max
NO HEATER	25W
MOTOR HEATER	19W
Appliance Width	29 3/8" or 74.7 cm
Appliance Height	24 7/8" or 63.2 cm
Appliance Depth	8 3/4" or 22.2 cm
Gross Weight	63.8lbs or 29kg
Plug Location	Left side
Cord Length	70 7/8" or 180 cm
Rough Wall Opening Size	31 3/8" × 25 1/4" or 79.7 cm × 64.1 cm
BTU	4800

This appliance has been tested in accordance with the UL Standard 2021 for fixed and location dedicated electric room appliances in the United States and Canada. If you need assistance during installation, please contact your local dealer.

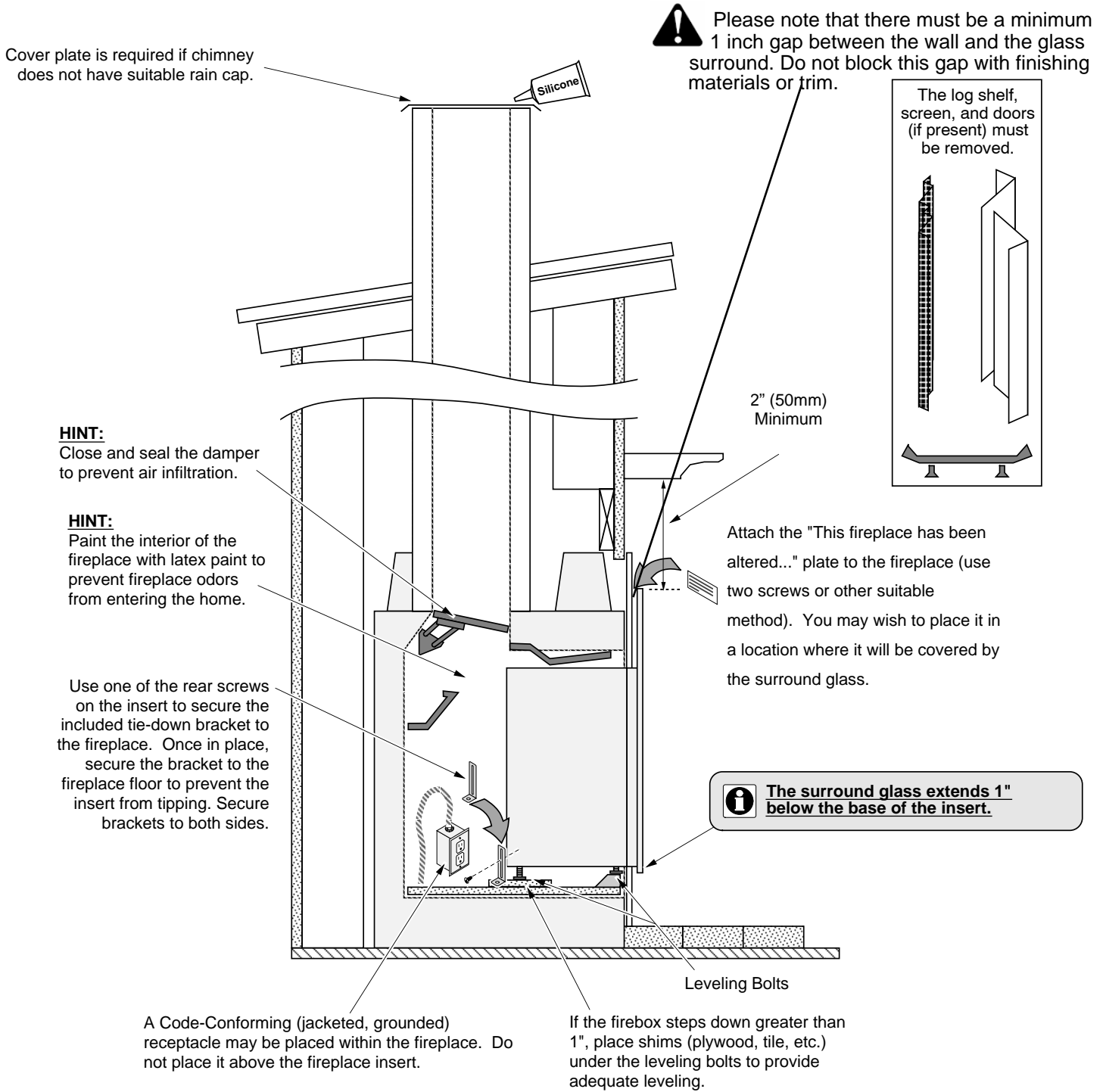
NOTE: This appliance must be electrically wired and grounded in accordance with local codes. In the absence of local codes, use the current CSA C22.1 Canadian Electrical Code in Canada or the ANSI/NFPA 70 National Electrical Code in the United States.



INSTALLATION OVERVIEW – MASONRY FIREPLACES



INSTALLATION OVERVIEW –ZERO-CLEARANCE (METAL) FIREPLACES



HARD- WIRE INSTALLATION

Turn off the appliance completely and let cool before servicing. Only a qualified service person should service and repair this electric appliance.

If it is necessary to hard wire this appliance, a qualified electrician must remove the cord connection, and wire the appliance directly to the household wiring.

This appliance must be electrically connected and grounded in accordance with local codes, if hard wired. In the absence of local codes, use the current CSA C22.1 CANADIAN ELECTRICAL CODE in Canada or the current ANSI/NFPA 70 NATIONAL ELECTRICAL CODE in the United States.

1. Remove the cover plate from the left side of the appliance by removing the two screws, as shown below. Unscrew and remove power cord.



2. Attach the wiring to the junction block. Please make sure the live wire goes into the "L", the neutral wire into "N" and the ground wire into "G".



3. Put the plate back and screw back.

MEDIA OPTIONS

The fireplace shipped with an ember log set that is pre-installed. Consumers have their choice of decorative media should they wish to install it.



Log set



HZ-12-EMBER



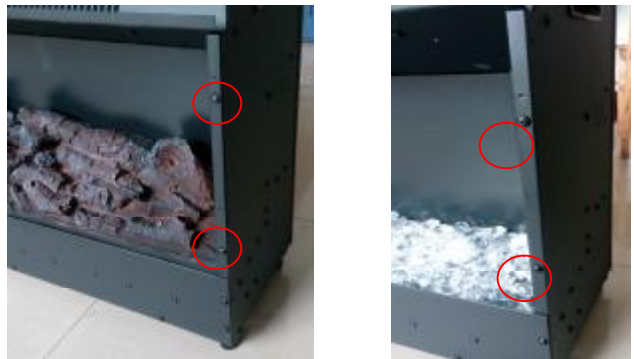
Fi-109-Diamond

DECORATIVE MEDIA INSTALLATION

Removing the log

Unplug the unit from wall and make sure controls are switched off.

Unscrew two screws both hand side to take off the front glass. The log is shipped in place. The log has tabs on each side that hold it secure. There are two screws to fix the side panel. Unscrew the screws to remove the side panels. Remove both side panels to remove the log set . Screw back the side panels after remove the log set.



Installing the decorative media

Pour the decorative media into the tray. Feel free to use any combination of fire glass media that you find most appealing. Put back the front glass after you finish install the fire glass.




OPERATION

The fireplace can be operated either by the switches located on the left bottom of the fireplace unit or by supplied remote control.

Plug the fireplace into a 15 Amp wall socket.



MANUAL OPERATION



1. The main power ON/OFF switch in position O, the fireplace is OFF.
2. When main power ON/OFF switch is at position I, the fireplace is ready to use.
3. Press the  button repeatedly to set the heater to desired heat setting. The heater indicator LED will glow which shows the current heater settings.
 - a) RED 1500W HEAT OUTPUT
 - b) BLUE 750W HEAT OUTPUT
 - c) PURPLE AUTO MODE

AUTO MODE

Under this mode the heater will automatically turn ON at high heat setting 1500W heat output when the room temperature drops below 22°C(72°F). When the room temperature is between 22-25°C(72-77°F) the heater output will switch to low heat setting 750W. When the room temperature goes above 25°C(77°F) the heater will be turned off and the cycle will continue. The LED indicator will be PURPLE in colour under this mode.

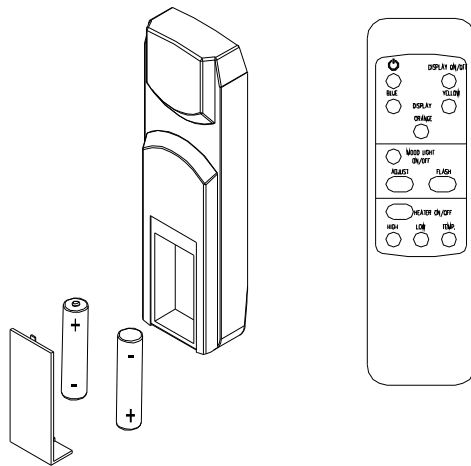
4. Flame effect: Press the button marked  to adjust the flame brightness. The flame brightness will cycle through –Low-Medium-High -OFF.
5. Mood light effect: Press the button marked  to change the mood light colour.

NOTE: If operated at the Low heat setting, the fireplace will not provide as much heat output as in the High heat setting, however the low setting will not require as much electrical power to operate. To avoid overloading a circuit, do not plug the fireplace into a circuit that already has other appliances working. When the fireplace is not in use switch off and unplug.

SAFETY CUT-OFF


- ⌋ This appliance is fitted with a safety cut-off which will operate if the fireplace overheats (eg. Due to blocked air vents). For safety reasons, the fireplace will NOT automatically reset.
- ⌋ To reset the appliance, disconnect the appliance from the main supply for at least 10 minutes. Reconnect the supply to the main and switch on the appliance.

REMOTE CONTROL OPERATION



For remote to function make sure the heater is plugged in and main power switch located on the bottom left hand side is at position I.

When operating the remote make sure you point the remote to the centre of the fireplace and make sure each time you press the button the buzzer inside the unit will beep once. It takes some time for the receiver to respond to the transmitter. Do not PRESS the buttons more than once within two seconds for correct operation.

Power on  button: The power-on button at top left corner of the remote is the main ON/OFF power button. This will turn off all the functions and the fireplace will be in standby mode.

DISPLAY ON/OFF button: Switching the fireplace flame and tray light ON/OFF. It has functions of setting memory.

DISPLAY BLUE button: Adjust the blue color brightness of flame and tray.

DISPLAY YELLOW button: Adjust the yellow color brightness of flame and tray.

DISPLAY ORANGE button: Adjust the orange color brightness of flame and tray.

MOOD LIGHT ON/OFF button: Switching the mood light ON/OFF.

ADJUST button: Switching the color of the mood light.

FLASH button: Switches the mood light into flash mode, this cycles through all mood light colors .

HEATER ON/OFF button: Switching the heater ON/OFF. It has functions of setting memory.

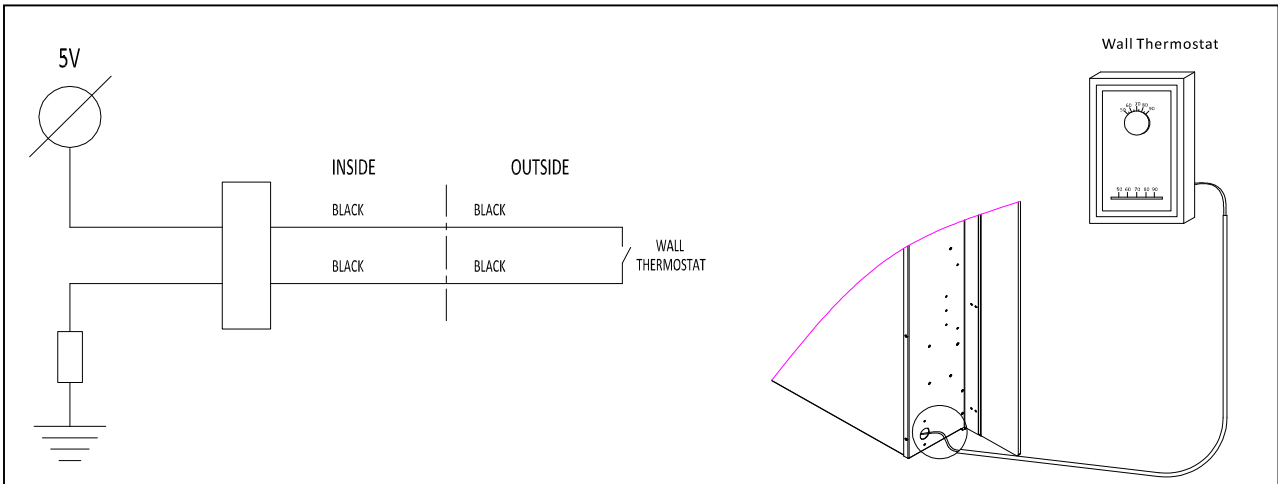
HIGHT button: Press the high button to switch the heater to high heat setting 1500W.

LOW button: Press the low button to switch the heater to low heat setting 750W.

TEMP. button: Press the TEMP. button to switch the heater to AUTO mode. Under this mode the heater will operate in similar way as explained above for the manual operation.

INSTALLING WALL THERMOSTAT

WALL THERMOSTAT WIRING DIAGRAMS



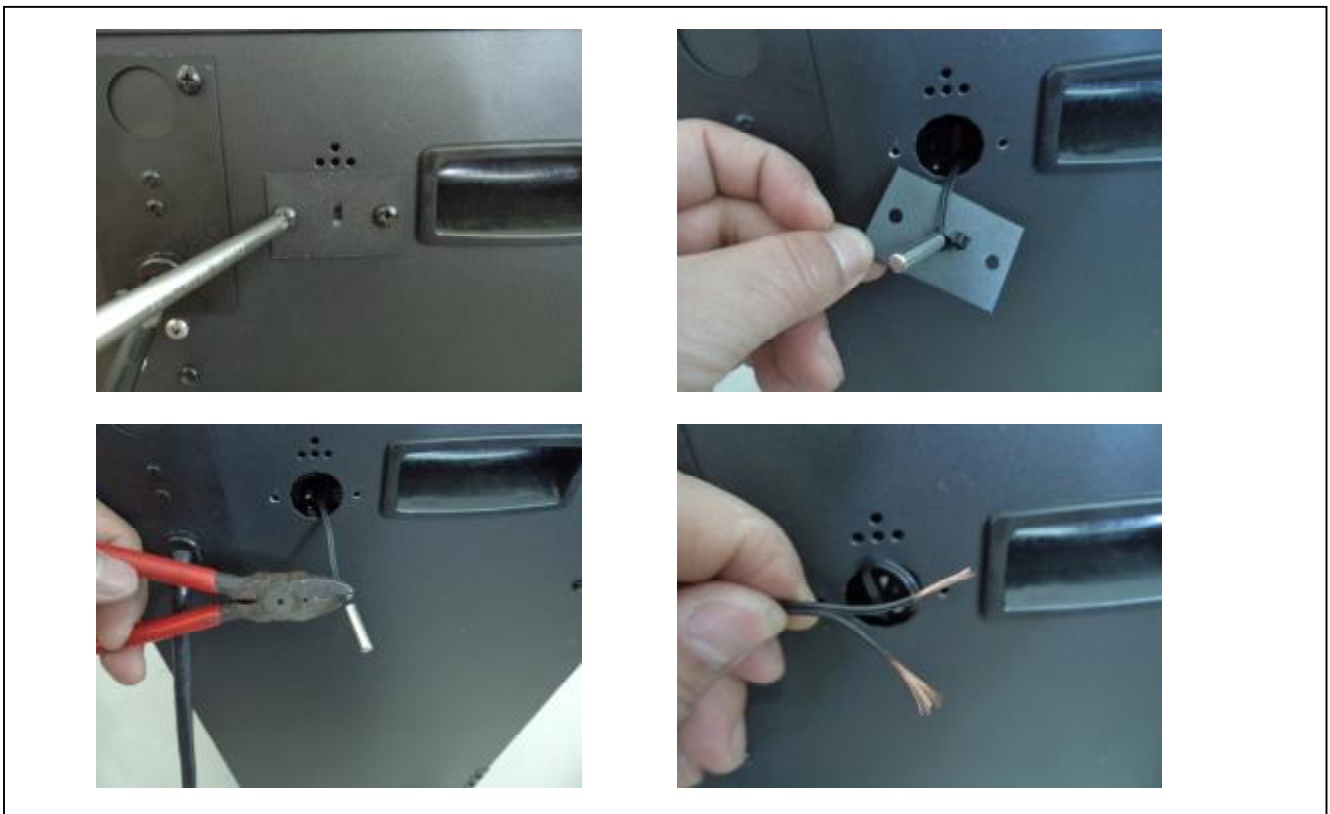
NOTE: THE WALL THERMOSTAT WILL WORKING WHEN THE HEATER ON TEMP. SETTING.PLEASE REFER TO THE MANUAL CONTROL AND THE REMOTE CONTROL.

Wire the wall thermostat prior to installing the fireplace.

WALL THERMOSTAT WIRING(24 VAC)

Install Wall Thermostat per instructions provided with kit and per the following information:

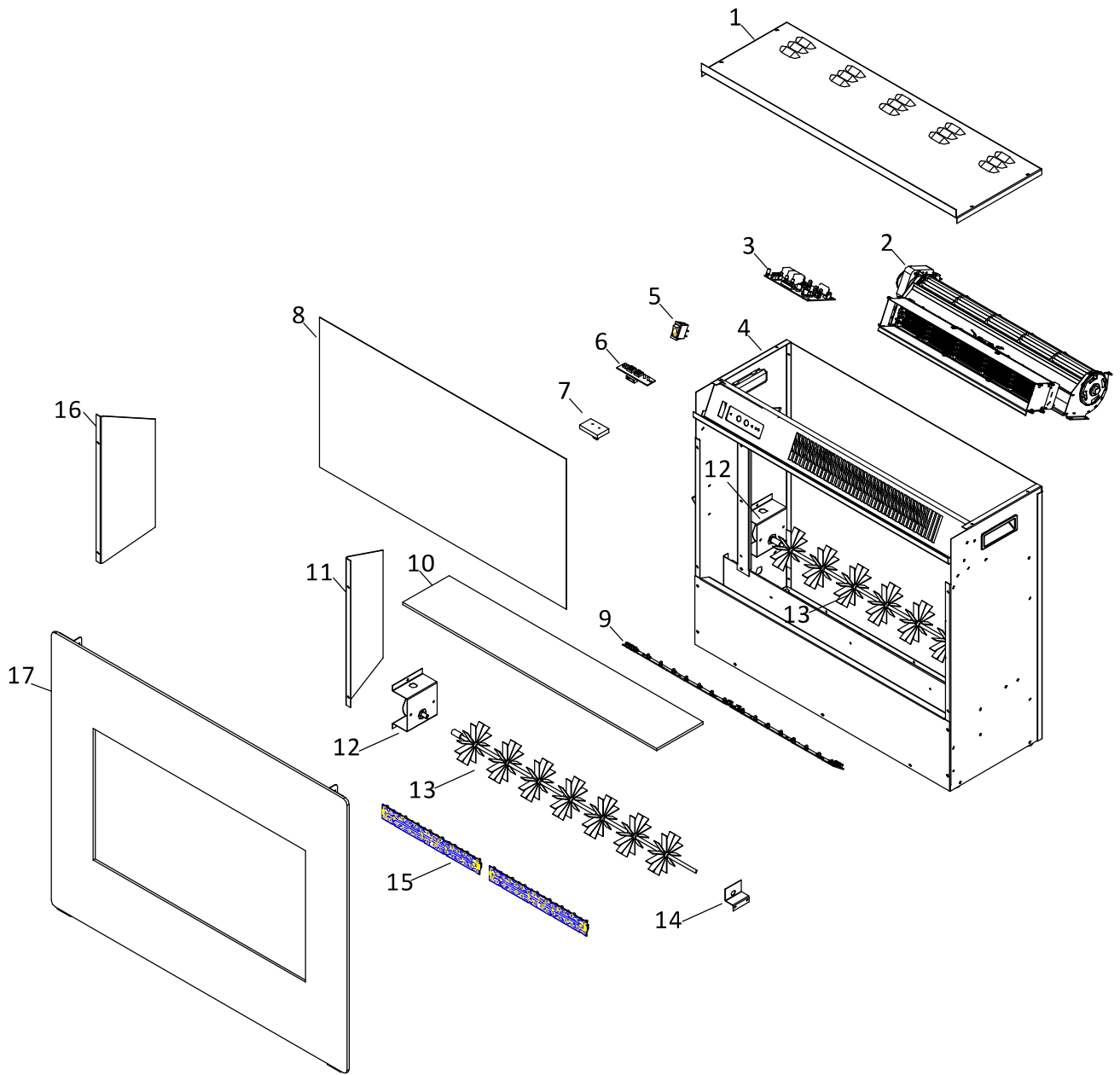
1. Turn off circuit breaker.
2. Remove cover plate located on the left up side of appliance.
3. Pull the wire out and cut the inside thermostat. Connect the wires to the wall thermostat as shown below. Follow instructions provided with wall switch kit.



REPLACEMENT PARTS

NO	PART NUMBER					DESCRIPTION	QTY.
	ZECL-26-2923(-FLU SHMT) INSERT-26-2923	ZECL-30-3226(-FLUSHM T) INSERT-30-3226	ZECL-33-3624/ INSERT-33-4230	ZECL-39-4124	ZECL-2939		
1						TOP PANEL	1
2	602030C	602030C	602030C	602030C	602030C	BLOWER AND HEATER ASSEMBLY	1
3	601097B	601097B	601097B	601097B	601097B	CIRCUIT BOARD	1
4						FIREPLACE BOX	1
5	10104010	10104010	10104010	10104010		SWITCH	1
6	601032B	601032B	601032B	601032B	601032B	CONTROL PANEL	1
7	301506	301506	301506	301506	301506	REMOTE RECEIVER	1
8	385010D(ZECL) 386009D(INSERT)	387010D(ZECL) 388009D(INSERT)	389005D	391010D	392010D	FLAME EFFECT BLACK PLASTIC GLASS	1
9	601136B	601136B+601137B	601136B+601137B	601136B	601136B	FLAME LED STRIP	
10	10702130D	10702132D	10702133D	10702135D	10702136D	BOTTOM GLASS	2
11						RIGHTBRACKET	1
12	10101225	10101225	10101225	10101225	10101225	FLAME MOTOR	2
13	3085504B	3087504B	3089504B	3091504B	3092504B	FLICKER ASSEMBLY	2
14						FLICKER ASSEMBLY HOLDER	1
15	601136B	601136B+601137B	601136B+601137B	601136B	601136B	TRAY LED STRIP	1
16	10103007	10103007	10103007	10103007		LEFT BRACKET	1
17						FRONT GLASS	1
18	10105063					REMOTE	1

EXPLODED VIEW



TROUBLE SHOOTING

PROBLEM	POSSIBLE CAUSE	SOLUTION
Dim or no flame	Flame LED's are burnt out	Inspect the LED's and replace them if necessary.
	Back black cloth is falling off and roll the flicker	Change a new flicker and back black cloth.
Ember bed is not glowing or dimming	Ember LED's are burnt out	Inspect the ember bed LED's and replace them if necessary.
Appliance turns off and will not turn on	Appliance has overheated and safety device has caused the thermal switch to disconnect	Turn off the main switch, allow appliance to cool for 10 minutes, then turn it on.
	House circuit breaker has tripped	Reset house circuit breaker.
	Appliance's fuse has blown	Replace the fuse.
Appliance will not come on when switch is flipped to ON	Appliance is not plugged into an electrical outlet	Check plug and plug in.
	Appliance has overheated and safety device has caused the thermal switch to disconnect	Turn off the main switch, allow appliance to cool for 10 minutes, then turn it on.
	Circuit board is burnt out	Inspect the circuit board and replace it if necessary.
No warm air coming out of appliance	Heater is burnt out	Inspect the burner and heater assembly and replace it if necessary.
Flame sputters	Flame motor is defective.	Call a qualified service technician and replace flame motor.
Remote Control does not work.	Low batteries. Unit switch in "O" position.	Replace AAA batteries in remote control. Turn the switch in "I" position.
Flame is fixed.	Wiring may be loose or the flame motor may be defective.	

SERVICE HISTORY

This heater must be serviced annually depending on usage.

Date	Dealer Name	Service Name	technician	Service Performed	Special Concerns

NOTES:

WARRANTY FOR PRODUCTS MANUFACTURED AFTER JANUARY 1st, 2016

Amantii Imports Corp. ("Amantii") warrants that your newly purchased Amantii electric fireplace is free from manufacturing and material defects for a period of two (2) years from the date of the first purchase, subject to the conditions and limitations contained below.

Warranty Application & Exclusions

This limited warranty applies to your newly purchased Amantii electric fireplace; the limited warranty's application is limited to purchases made in any province of Canada or in any of the 52 States of the United States of America, including the District of Columbia. Only the original purchaser of the product is eligible for coverage under this limited warranty; the warranty is not transferable.

Products excluded from this limited warranty

Light bulbs are not covered by this limited warranty and are the sole responsibility of the owner/purchaser. Amantii does not cover service or labor charges.

Warranty Coverage and Term

Products covered by this limited warranty have been tested and inspected prior to shipment and, subject to the provisions of this warranty, Amantii warrants such products to be free from defects in material and workmanship for a period of two (2) years from the date of the first purchase of such products.

The limited two (2) year warranty period for products also applies to any implied warranties that may exist under applicable law. Some jurisdictions do not allow limitations on how long an implied warranty lasts, so the above limitation may not apply to the purchaser.

All other warranties—expressed or implied—with respect to the product, its components and accessories or any obligation/liabilities on the part of Amantii are hereby expressly excluded.

Limitations to Coverage Under Limited Warranty

This limited warranty does not apply to products that have been repaired, except by Amantii or its authorized service representatives, or otherwise altered. This limited warranty further does not apply to defects resulting from misuse, abuse, accident, neglect, incorrect installation, improper maintenance or handling, or operation with an incorrect power source. Products made by other manufacturers, sold with the product or thereafter, are not covered by this limited warranty. The use of unauthorized components will render this warranty null and void.

Panorama Outdoor Units

All Panorama units that are installed outdoors or in moisture intense conditions must use the stainless steel cover. Proof of purchase of the cover is required for any warranty claims.

Defects

Defects must be brought to the attention of the selling dealer. Please have your proof of purchase, catalogue/model and serial numbers available when contacting dealer; any and all service under the limited warranty requires a proof of purchase of the product. Should a product or part covered by this limited warranty be proven to be defective, in material or workmanship, and during the two (2) year limited warranty period, Amantii will replace such defective product or part without charge. If Amantii is unable to replace such product, or if replacement is not commercially practicable or cannot be timely done, in its sole discretion Amantii may, in lieu of replacement, choose to refund the purchase price for such product or part. Amantii does not cover labor or service charges to replace said parts.

Limitations

In no event will Amantii, including without limitation any of its directors, officers, shareholders, employees, consultants, agents, heirs, executors, administrators and assigns, be liable to the purchaser or any third party, whether in contract, in tort, or on any other basis for any indirect, special, punitive, exemplary, consequential, or incidental loss, cost or damage arising out of or in connection with the sale, maintenance, use or inability to use the product, even if Amantii, including without limitation any of its directors, officers, shareholders, employees, consultants, agents, heirs, executors, administrators and assigns, have been advised of the possibility of such losses, costs or damages, or if such losses, costs or damages are foreseeable. In no event will Amantii, including without limitation any of its directors, officers, shareholders, employees, consultants, agents, heirs, executors, administrators and assigns, be liable for any direct losses, costs or damages that exceed the purchase price of the product.

Some jurisdictions do not allow the exclusion or limitation of incidental or consequential damages, so the above limitation or exclusion may not apply to the purchaser.

Application of Provincial and State Law

This limited warranty gives you specific legal rights, and you may also have other rights which vary from jurisdiction to jurisdiction. The provisions of the United Nations Convention on Contracts for the Sale of Goods shall not apply to this limited warranty or the sale of products covered by this limited warranty.

General

Amantii reserves the right to make changes at any time without notice, in design, material, specifications, prices and the right to discontinue styles and products.